

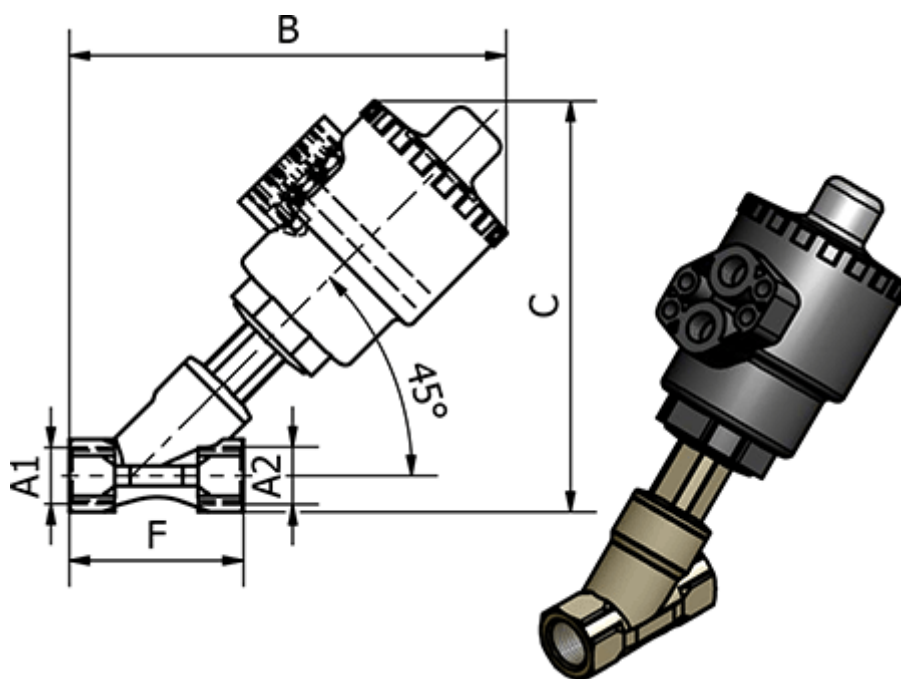
Data Sheet



Article number: 58636205

Description: Angle-Seat Valve 362.05, G 1" - G 1/8"
Thread/Thread

Measures



B	= 246
C	= 236
Connecting A1	= G 1"
Connecting A2	= G 1"
Control Air	= G 1/8"
Control Air	= 4-8 bar
F	= 90
Max. Working Pressure	= 16 bar